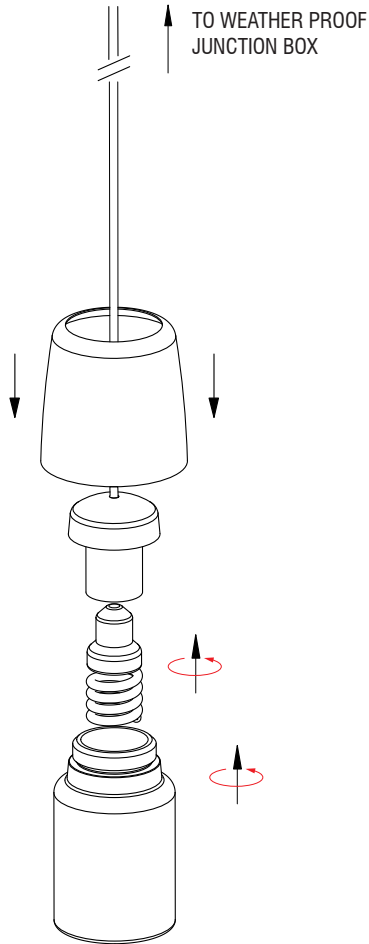


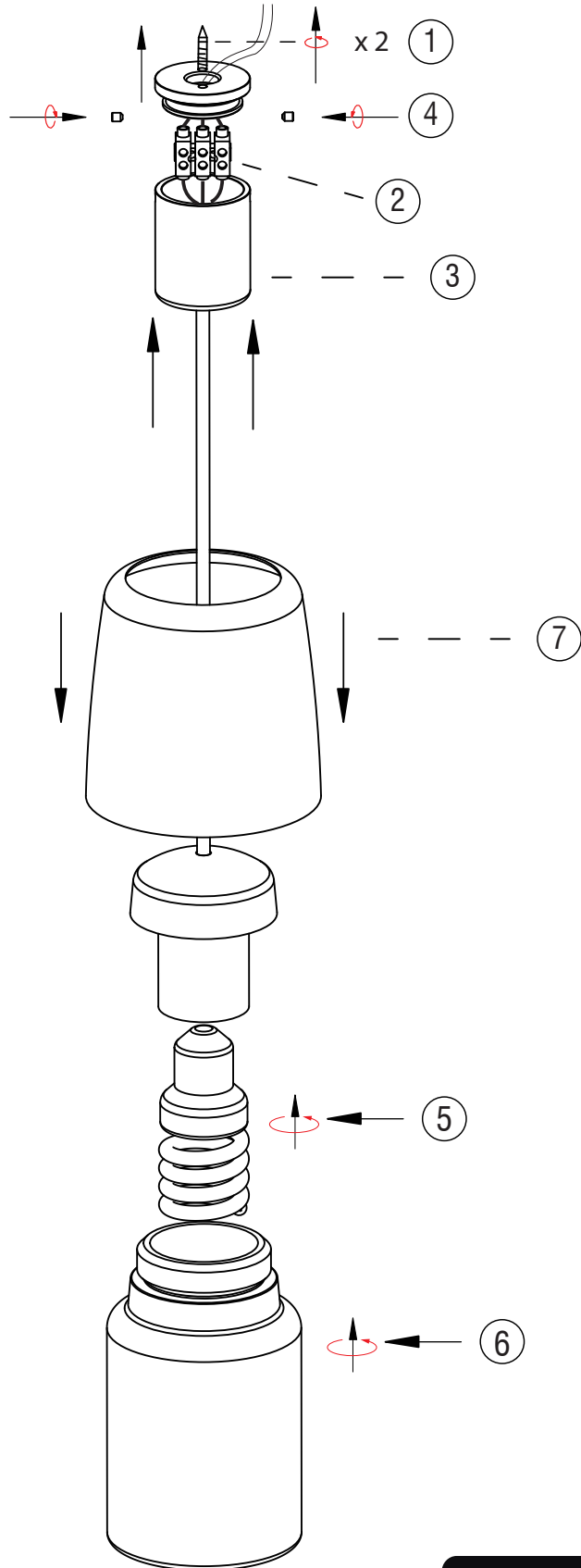
flirt

pendant light installation instructions



IP65 RATED FLIRT*

Supplied with 4m of weather proof cable.
To be terminated in a suitable weather proof junction box



STANDARD FLIRT

Supplied with 2m of woven black cable.

* Canopy NOT included with IP rated pendant
Use E27 style CFL Lamp Max 8W. Must not exceed Ø46mm, 92mm(h)
Recommend Philips Tornado Spiral 8W
Line voltage must be installed by a qualified Electrician, in accordance with local electrical laws

1/66 McLachlan Street, Fortitude Valley Q Australia 4006
P +61 7 3257 2822 F +61 7 3257 2844
info@luxxbox.com luxxbox.com

